

## INSTALLATION SPECIFICATION SHEET

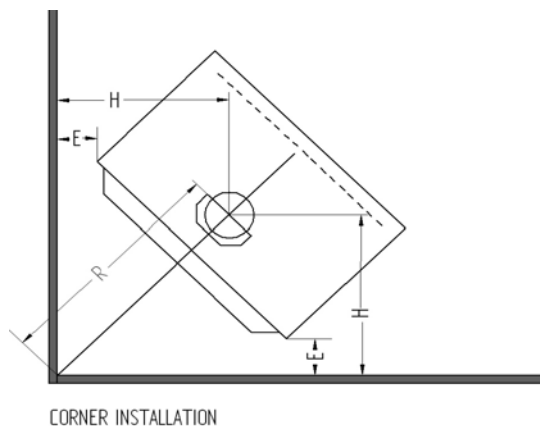
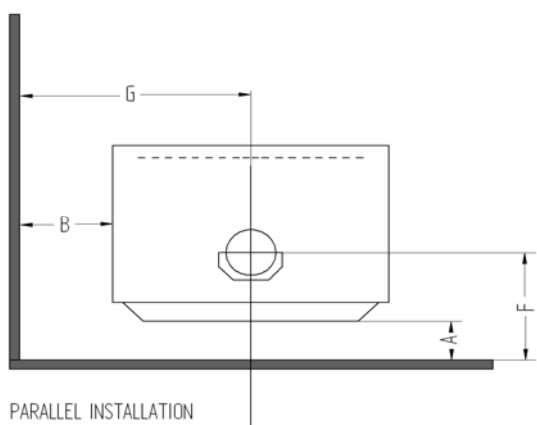
These instructions must be used in conjunction with the 'General Installation Instructions' for Masport wood fires.

### CLEARANCE REQUIREMENTS

This fire has been tested and complies to the Australian/New Zealand Standard AS/NZS 2918:2001 and all installations must be in accordance with the minimum clearances to combustibles indicated in these instructions.

The minimum clearances to combustibles may be reduced if the combustible walls are shielded with an approved non-combustible material. Details of suitable materials and appropriate clearance reduction factors are present in Section 3 of AS/NZS 2918:2001.

### POSITIONING YOUR FREE-STANDING WOODFIRE



### NEW ZEALAND

MINIMUM DISTANCES TO HEAT SENSITIVE WALLS (mm)

MODEL	FLUE HEAT SHIELD	A	B	E	F	G	H	R§
R1500P / R1500L R1500R / R1600	MASPORT/LOGAIRE DOUBLE SKIN S/S POLISHED	110	290	55	285	590	382	541

### AUSTRALIA

MINIMUM DISTANCES TO HEAT SENSITIVE WALLS (mm)

MODEL	FLUE HEAT SHIELD	A	B	E	F	G	H	R§
R1500/R1600	FLOMET UNIVERSAL FLUE SYSTEM	150	245	115	377	545	442	624
	FLOMET FLUE + MASPORT DOUBLE SKIN SHIELD	30	285	80	257	585	407	575
	AIR-GROUP SPECIAL INSULATED FLUE KIT *	40	310	140	267	610	467	660

§ Valid only when the room walls are at 90° to each other.

‡ Note: Clearances are for fire hazard only. For durability of finishes or surfaces you should contact the relevant manufacturer for their specification. Masport accepts no responsibility for the deterioration of surfaces or finishes.

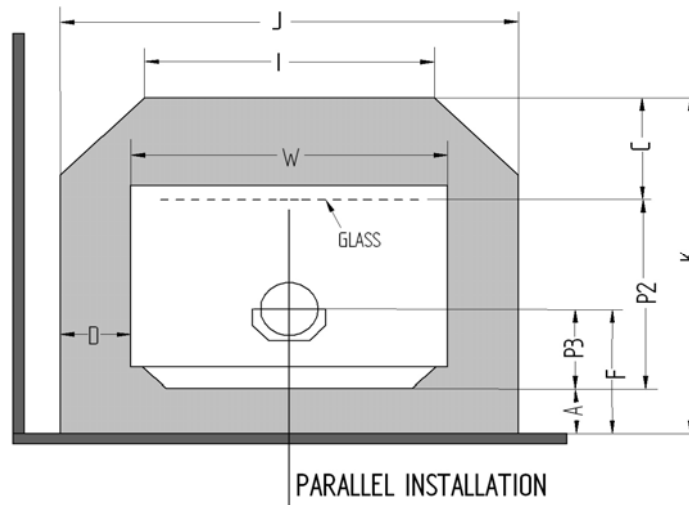
\* Air-Group Special Insulated Flue Kit is same as AHD Special Insulated Flue Kit

PRT. NO. 593791

DATE: 27.11.2014

# FLOOR PROTECTOR (Hearth) REQUIREMENTS PARALLEL INSTALLATION

MINIMUM FLOOR PROTECTOR DIMENSIONS IN mm



# DIMENSIONS IN THE TABLE ARE VALID ONLY WHEN THE FIRE IS EXACTLEY AT ITS MINIMUM ALLOWABLE WALL CLEARANCE.

## NEW ZEALAND

MODEL	Flue Shield	Floor Protector height	A#	C#	D	F	I	J	K#	P2	P3	W	Floor Protector Type Ø
R1500P / R1500L R1500R/R1600	LDS	ANY	110	300	111	285	522	822	835	425	175	600	AFP

LDS = MASPORT / LOGAIRE DOUBLE SKIN S/S POLISHED 1200mm HIGH

AFP = ASH FLOOR PROTECTOR

## AUSTRALIA - ALL WITH FLUE HEATSHIELD

MODEL	Flue Shield	Floor Protector height	A#	C#	D	F	I	J	K#	P2	P3	W	Floor Protector Type Ø
R1500/R1600	FUF	ANY	150	300	111	377	522	822	925	475	227	600	AFP
	FUL	ANY	30	300	111	257	522	822	805	475	227	600	AFP
	AGA	ANY	40	300	111	267	522	822	815	475	227	600	AFP

FUF = FLOWMET UNIVERSAL FLUE SYSTEM

FUL = FLOWMET UNIVERSAL FLUE WITH MASPORT/LOGAIRE DOUBLE FLUE SHIELD

AGA = AIR GROUP / AHD SPECIAL INSULATED FLUE KIT WITH 900mm S/S REFLECTOR SHIELD

AFP = ASH FLOOR PROTECTOR

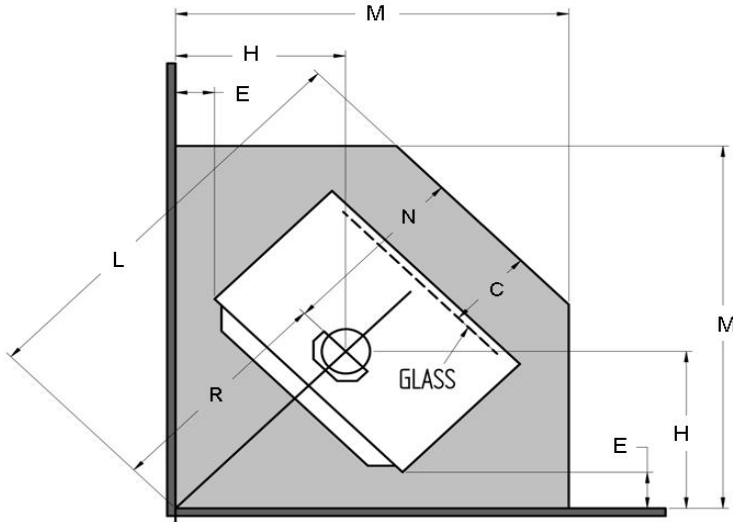
Ø for minimum constructional requirements see general installation instructions.

# Valid only when the fire is exactly at its minimum allowable wall clearance.

NOTE: Where a fan is being fitted, you may prefer to increase the 'A' dimension to 100 mm to provide easier access for servicing. If so, the amount you add to 'A' to bring it to 100 mm must also be added to the 'C' and 'S' dimensions.

# FLOOR PROTECTORS (Hearth) REQUIREMENTS CORNER INSTALLATION

MINIMUM FLOOR PROTECTOR DIMENSIONS IN mm



# DIMENSIONS IN THE TABLE ARE VALID ONLY WHEN THE FIRE IS EXACTLEY AT ITS MINIMUM ALLOWABLE WALL CLEARANCE.

## NEW ZEALAND

MODEL	Flue Shield	Floor Protector Distance above Floor	C	E	H#	L#	M#	N	R#	FLOOR PROTECTOR TYPE
R1500P / R1500L R1500R/R1600	LDS	ANY	300	55	382	1091	956	550	541	ASH

LDS = MASPORT / LOGAIRE DOUBLE SKIN S/S POLISHED 1200mm HIGH

## AUSTRALIA

MODEL	Flue Shield	Floor Protector Distance above Floor	C	E	H#	L#	M#	N	R#	FLOOR PROTECTOR TYPE
R1500/R1600	FUF	ANY	300	115	442	1172	1013	548	624	ASH
	FUL	ANY	300	80	407	1123	978	548	575	ASH
	AGA	ANY	300	140	467	1208	1038	548	660	ASH

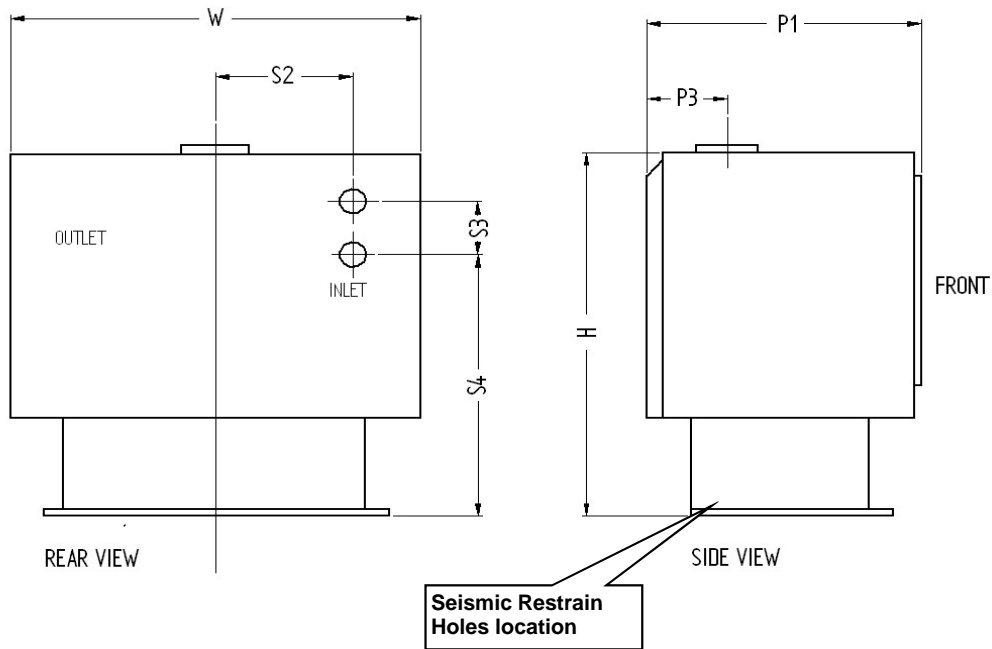
FUF = FLOWMET UNIVERSAL FLUE SYSTEM

FUL = FLOWMET UNIVERSAL FLUE WITH MASPORT/LOGAIRE DOUBLE FLUE SHIELD

AGA = AIR GROUP/AHD SPECIAL INSULATED FLUE KIT WITH 900mm S/S REFLECTOR SHIELD

AFP = ASH FLOOR PROTECTOR

## FREE STANDING FIRE DIMENSIONS

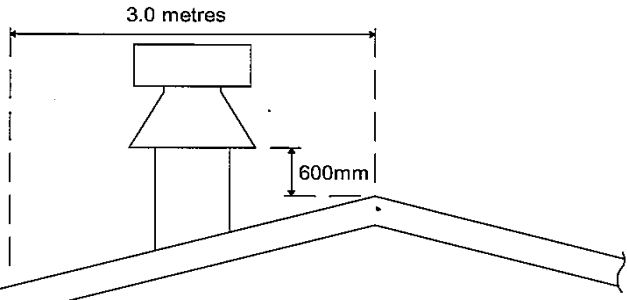
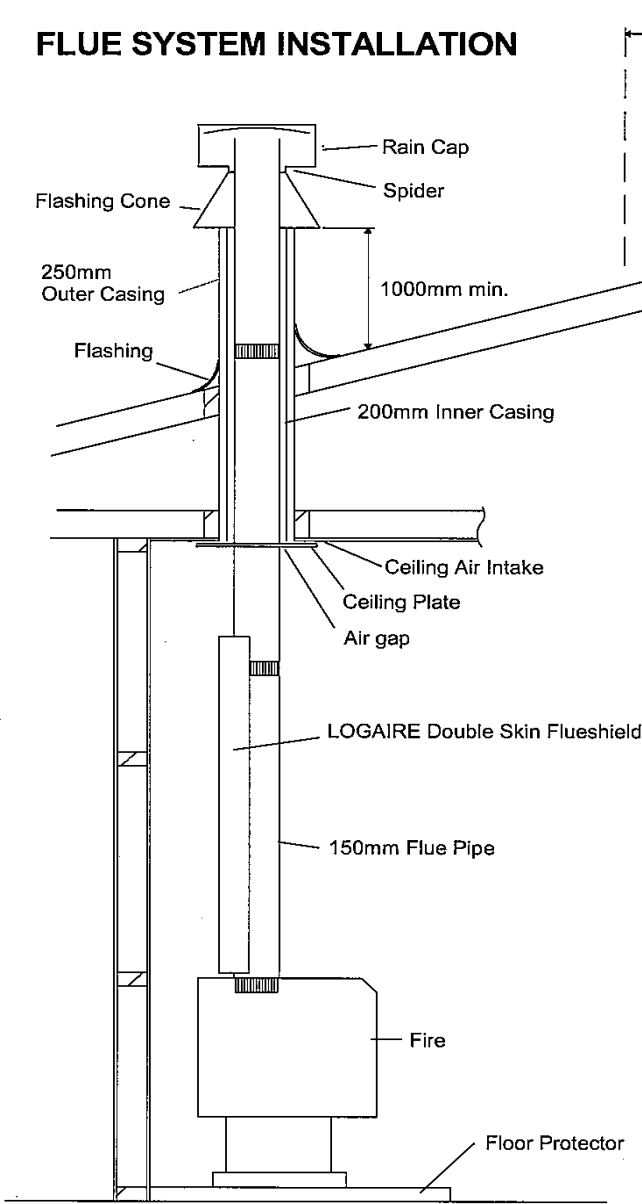


MODEL	P1	P3	H	W	S1	S2	S3	S4
R1500P/R1500L NZ	439	175	658	600	-	184	164	354
R1500R NZ	439	175	658	600	-	184	164	354
R1600 NZ	439	175	658	600	-	184	164	354
R1500 AU	491	227	658	600	-	184	164	354
R1600 AU	491	227	658	600	-	184	164	354

**Seismic Restrain** - In New Zealand and some part of Australia, it is required that the wood fire and floor protector are secured to prevent shifting in the event of an earthquake. This is best done by fastening the wood fire right through the protector to the floor, using two screws not less than 12 gauge or the equivalent size of coach bolts or toggle fasteners.

**THIS FLUE INSTALLATION DIAGRAM BELOW IS VALID FOR NZ INSTALLATIONS ONLY. FOR INSTALLATIONS IN AU PLEASE REFER TO SPECIFIC FLUE INSTALLATION SPECIFICATIONS SUPPLIED BY FLUE MANUFACTURER.**

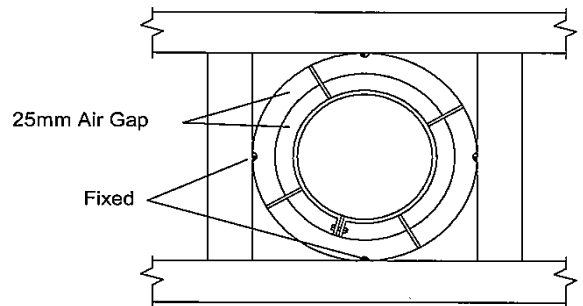
**FLUE SYSTEM INSTALLATION**



Installation shown complies with AS/NZS 2918:2001. If a flue exits out of the roof within 3 metres from the ridge, the outer shield height shall be not less than 600mm above the ridge. If the flue exits further than 3 metres out from the roof ridge then it must project at least 1000mm above roof penetration. This dimension may need increasing to ensure that the top of the flue is at least 3 metres away from the roof or other obstructions when measured horizontally.

The flue pipe shall extend not less than 4.6m above the top of the floor protector. Due to factors such as roof pitch, predominant winds, nearby obstructions (ie. trees, buildings), and fire placement, flue lengths and hats/cowls may vary.

**CEILING PENETRATION PLAN**



Above plan is valid only for flue manufactured by Glen Dimplex New Zealand Ltd or Sheetmetal Fabricated Products Ltd, Auckland, New Zealand. For other products, use specific flue installation specifications supplied by the manufacturer.

FLUE SYSTEM INSTALLATION 150mm